



MCL200

Great optical efficiency

The MCL200 is a compact LED marine lantern, solar self-contained, with great optical efficiency and low consumption, fitted with LED diodes of high intensity, reaching a nominal range up to 9 nautical miles and offering a large autonomy.

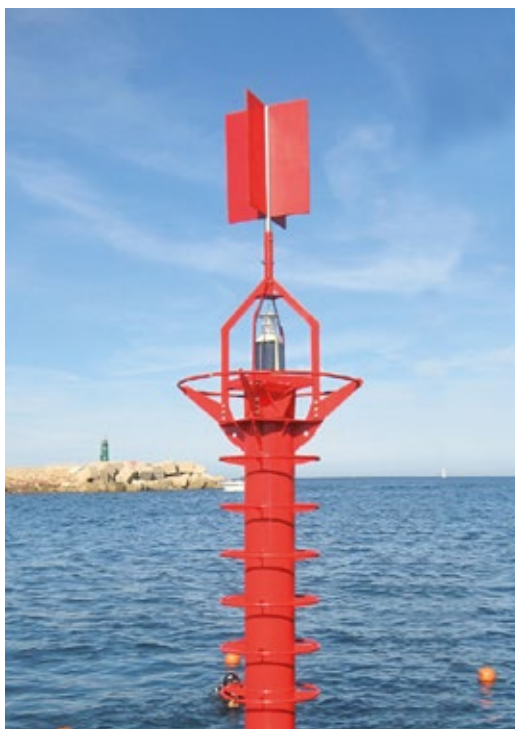
Wide remote control options

This lantern is ready to integrate different remote monitoring systems through GSM, UHF or satellite communications.

Long battery life

With a wide range of battery capacities up to 16.9 Ah, the MCL200 lantern has an autonomy over 450 hours of operation, which allows to ensure the lantern's performance and its energy availability in the harshest conditions.

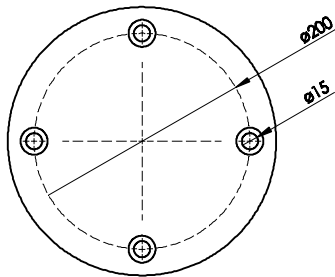
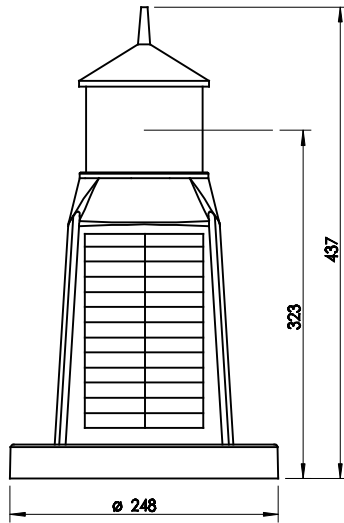
Designed according to IALA Recommendations.



FEATURES

- *High-efficiency luminous system.*
Up to 9 nm ($T=0.74$), 12 nm ($T=0.85$).
- *Vertical divergence up to 12° (50% I_0).*
- *360° horizontal output.*
- *Average operation lifetime over 10 years.*
- *IP 68 watertightness degree (immersion resistant).*
- *Double RS-232 serial port for setting adjustments by PC and remote monitoring system.*
- *Programming, configuration and operating status via PC, Bluetooth or IR programmer as an option.*
- *Ready to integrate remote monitoring via GSM, UHF or satellite, and synchronization module via GPS.*
- *Autonomy without solar charging up to 450 hours.*
- *Automatic energy management, according to solar radiation.*
- *4 nos. solar modules of 2.5W each.*
- *PATENTED OPTICAL SYSTEM.*

MCL200



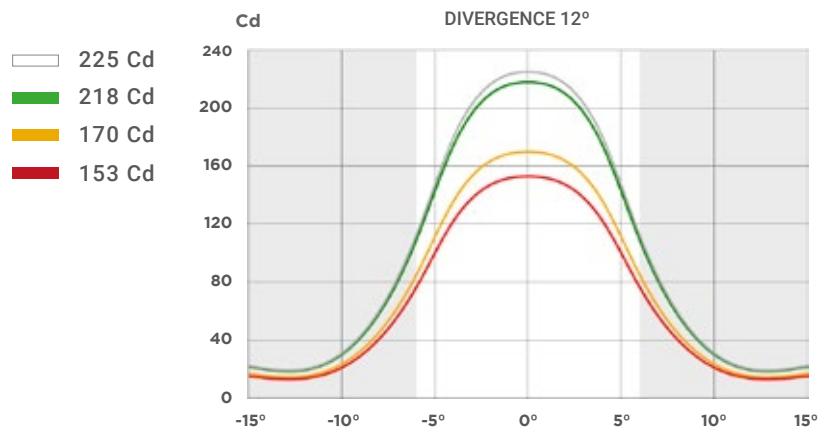
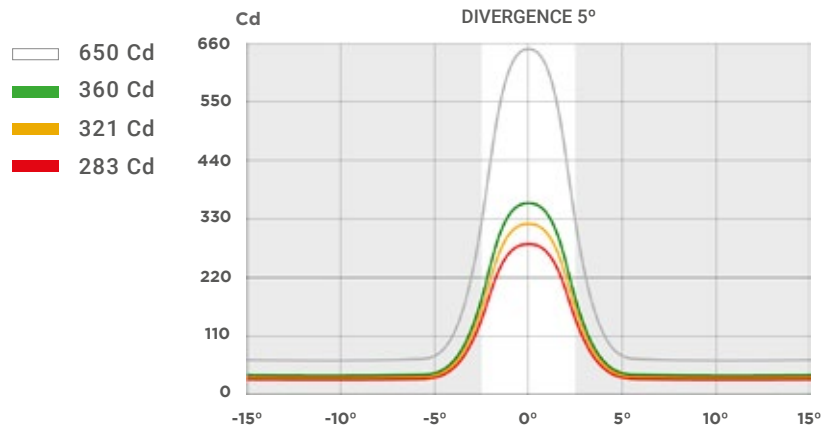
Technical Features

Light source:	Ultra-bright LED diodes, with high-precision acrylic lenses.
LED average life:	More than 100,000 hours.
Flash rhythms:	256 rhythms (6 nos. user selectable).
Solar module:	4 nos. of 2.5 W.
Battery:	16.9 Ah, Lead Crystal®, maintenance-free.
Base:	Glass-fibre reinforced polyamide PA66-GF30.
Lens cover:	UV stabilized acrylic.
Watertightness degree:	IP 68.

Options

- Infrared (IR) programmer.
- Charging port and optional charger.
- Fixing kit for 4 bolts in a 200 mm diameter.
- Other specifications available under request.
- Other battery capacities available.
- MCL200-SYNC (GPS synchronization).
- MCL200-TR (Radio remote monitoring).
- MCL200-TS (Satellite remote monitoring).
- MCL200-TG (GSM remote control).

Peak intensities (Cd)



Specifications subject to change without previous notice.

Luminous ranges will be affected depending on latitude, flash rhythms and chosen options.